

1D LASER

OPR 2001

Laser Barcode Scanner



The sleek OPR 2001 barcode reader features a compact and modern design yet is lightweight and delivers reliable performance using Opticon's proven scanning technology.



Product Features

Compact and Modern Design

The sophisticated design of the OPR 2001 blends well with today's modern office furniture and accessories while using very little counter space.

Hands-Free Scanning

Integrated auto-trigger while in complementing stand automatically initiates scanning to allow hands-free operation.

Lightweight Construction

At just 60 g (2.1 oz) this ultra-lightweight, yet solid scanner withstands the rigors of daily use and can withstand multiple drops of up to 1.5 m (5 ft) onto concrete.

High Performance Laser Scanner

High performance laser scanner provides a fast and accurate first time scan and is immediately ready for the next scan even when the barcodes are printed with low contrast or high density.

Cabled

Wireless

Stationary

OEM

OPTICON
always scanning for new ID's

Specifications

OPR 2001 Laser Barcode Scanner

Electrical specifications

Voltage requirement: 5 V \pm 10 % (Keyboard Wedge and USB), 6 V (min. 4.5, max. 6.5 V) (RS232)
Current consumption: max. 150 mA

Optical specifications

Light source: 650 nm visible laser diode
Scan method: Bi-directional scanning
Scan rate: 100 scans/sec
Reading pitch angle: -35 to 0°, 0 to +35°
Reading skew angle: -50 to -8°, +8 to +50°
Reading tilt angle: -20 to 0°, 0 to +20°
Curvature: R>15 mm (EAN8), R>20 mm (EAN13)
Reading width: depending on reading distance and barcode label resolution
Min. resolution at PCS 0.9: 0.127 mm / 5 mil
Min. PCS value: 0.45
Depth of field: at PCS 0.9, Code 39
40 - 500 mm / 1.57 - 19.69 in (res. 1.0 mm / 39 mil),
20 - 350 mm / 0.79 - 13.78 in (res. 0.5 mm / 20 mil),
20 - 200 mm / 0.79 - 7.87 in (res. 0.25 mm / 10 mil),
20 - 100 mm / 0.79 - 3.94 in (res. 0.15 mm / 6 mil),
30 - 70 mm / 1.18 - 2.76 in (res. 0.127 mm / 5 mil)

Communication specifications

Available interfaces: Keyboard Wedge, RS232C, USB(HID/VCP)

Identification

Supported barcode symbologies (1D): JAN/UPC/EAN (WPC) incl. add on, Chinese Post, Codabar/NW-7, Code 11, Code 39, Code 93, Code 128, IATA, Industrial 2of5, Interleaved 2of5, ISBN-ISMN-ISSN, Korean Postal Authority code, Matrix 2of5, MSI/Plessey-UK/Plessey, RSS, S-Code, Telepen, Tri-Optic, Composite codes
Supported 2D code symbologies: MicroPDF417, PDF417

Functionality

Trigger mode: manual, auto-trigger

Environmental specifications

Temperature in operation: -5 to 50 °C / -23 to 122 °F
Temperature in storage: -20 to 60 °C / -4 to 140 °F
Humidity in operation: 20 - 85 % (non-condensing)
Humidity in storage: 10 - 90 % (non-condensing)
Ambient fluorescent light rejection: 3,000 lx max.
Ambient direct sun light rejection: 50,000 lx max.
Ambient incandescent light rejection: 3,000 lx max.
Shock drop test: 1.5 m / 5 ft drop onto concrete surface
Shock vibration test: 10 - 100 Hz with 2G for 1 hour
Protection (dust and moisture, IEC529): IP 42

Physical specifications

Dimensions: 56 x 151 x 31 mm / 2.20 x 5.94 x 1.22 in
Case material: ABS
Weight body: Ca. 60 g / 2.1 oz
Connector Keyboard Wedge: MiniDIN6 F/M
Connector RS232: DB9 with external power
Connector USB: USB-A

Stand

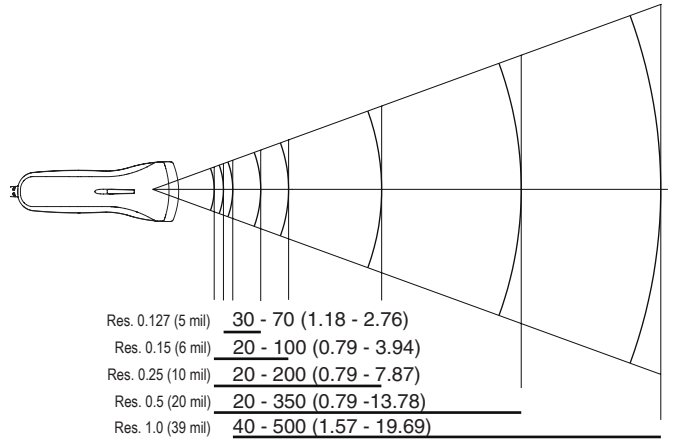
Dimensions: ST-90: 100 x 175 x 127 mm / 3.94 x 6.89 x 5.00 in (excl. scanner)
Weight: Ca. 115 g / 4.1 oz
Purpose: Auto-trigger stand

Regulatory

Laser safety class: JIS-C-6802 Class 2, IEC 60825-1 Class 2, FDA CDRH Class II
Product compliance: CE, FCC, VCCI, RoHS

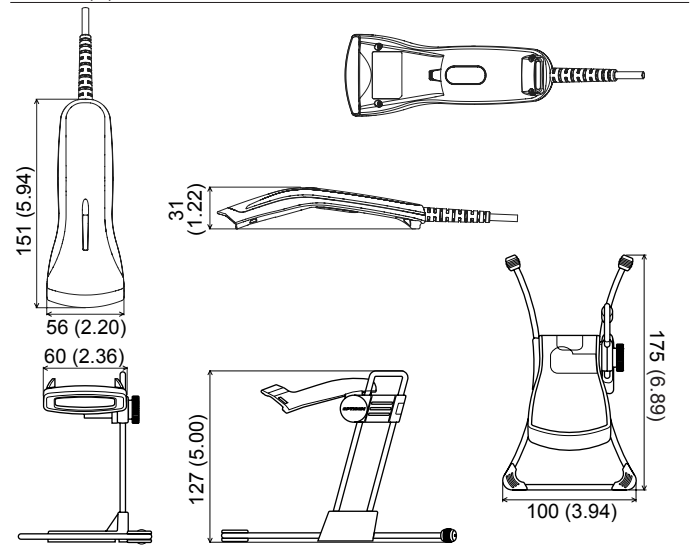
Depth of field

Unit: mm (in)



Dimensions

unit: mm (in)



Accessories

Sold separately
Power supply: 6V (External power for RS232)